



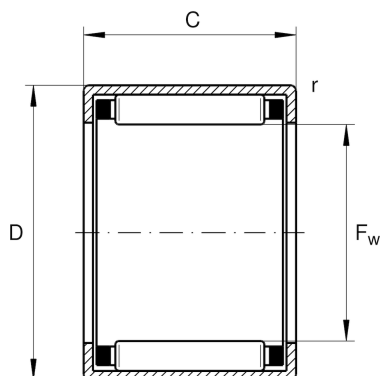
HK0910

Drawn cup needle roller bearing open end

Schaeffler ID:
0011978780000

Drawn cup needle roller bearings with
open ends HK, to DIN 618/ISO 3245

Technical information



Main Dimensions & Performance Data

| | | |
|------------------------|--------------|---------------------------------------|
| F_w | 9 mm | Under roller diameter |
| D | 13 mm | Outside diameter |
| C | 10 mm | Width |
| C_r | 4,250 N | Basic dynamic load rating, radial |
| C_{0r} | 4,650 N | Basic static load rating, radial |
| C_{ur} | 610 N | Fatigue load limit, radial |
| n_G | 26,500 1/min | Limiting speed |
| $n_{G \text{ Grease}}$ | 16,000 1/min | Limiting speed for grease lubrication |
| n_{gr} | 20,600 1/min | Reference speed |
| | 3.46 g | Weight |

Dimensions

| | | |
|-----------|----------|---------------------------|
| | GR9X13X3 | Sealing ring |
| C_1 | 10 mm | Width, outer ring |
| r_{min} | 0.4 mm | Minimum chamfer dimension |
| | G9X13X3 | Sealing ring 2 |

Temperature range

| | | |
|-----------|--------|----------------------------|
| T_{min} | -30 °C | Operating temperature min. |
| T_{max} | 140 °C | Operating temperature max. |